

No. HSCC/LRSI/PG-1/106/MGPS/01

Dated 25.01.2012

To

**AMENDMENT-I**

Subject : **“Supply Installation Testing & Commissioning of Medical Gas Pipeline System for Private Ward at LRS Institute of Tuberculosis & Respiratory Diseases New Delhi..**

Reference: **Tender No HSCC/LRSI/PG-1/106/MEDICAL GAS PIPELINE SYSTEM/2012**

Sir,

With reference to the subject tender work, please find enclosed Annexure-! as AMENDMENT-I which shall form part of Tender / Contract and is to be submitted along with the tender document duly signed & stamped.

**All other terms & conditions of the bid documents shall remain unchanged.**

Thanking you,

Yours faithfully,

(R.S.Raina)  
General Manager (PG-1)

Enclosure: - Annexure-1 (2 pages)

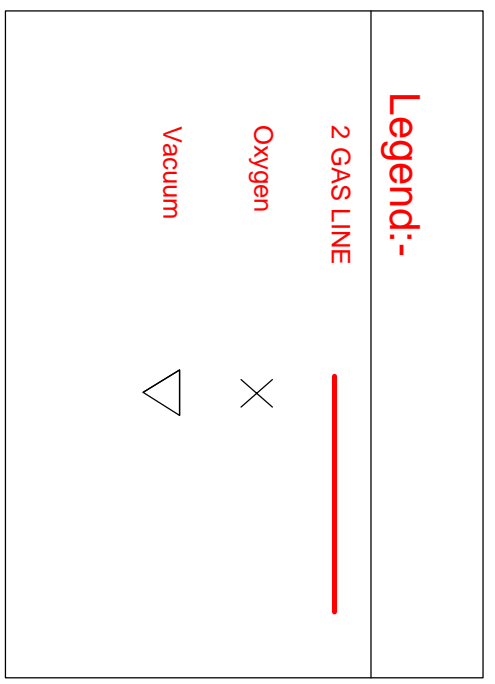
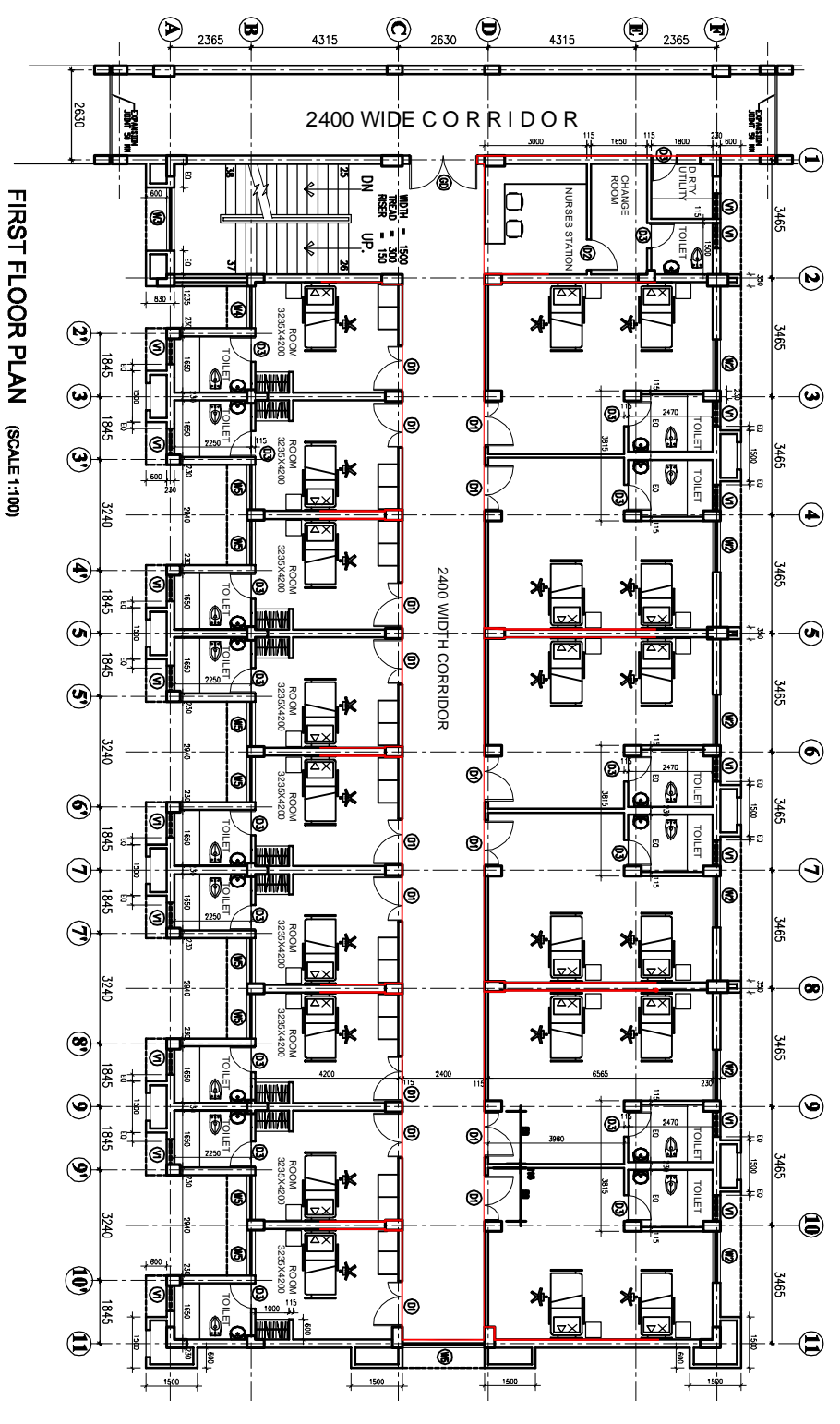
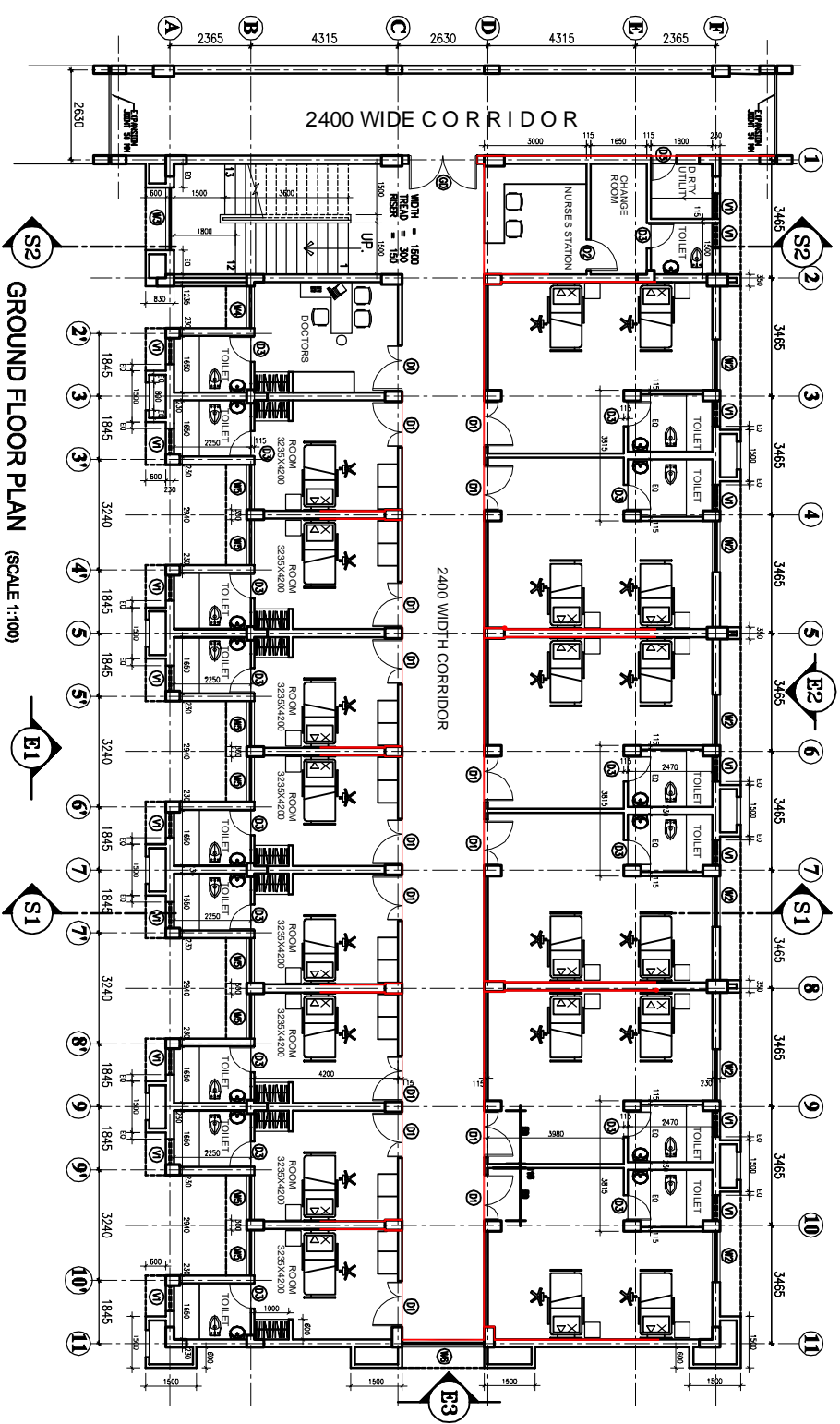
**“REPLY TO BIDDERS QUERIES AND AMENDMENT TO TENDER”:-**

**Supply , Installation, Testing & Commissioning of Medical Gas Pipeline System for Private Ward at LRS Institute of Tuberculosis & Respiratory Diseases New Delhi .**

**CLARIFICATION / AMENDMENT No. – (MGPS)**

<b>S.No.</b>	<b>Queries Raised</b>	<b>Reply</b>
1	Specification for BOQ Item No 1, 2 & 3 (part-I),  Copper Pipe as per BSEN13348:2001 along with Lloyd certificate is not possible at present. If Lloyd certificate is needed for this particular item then Copper pipe as per standard BSEN 1057 is possible to supply otherwise the same tender can be supplied but without Lloyd certificate.	Revised Specification is as below.  Copper Pipe for BOQ Item No 1, 2 & 3 (part-I) shall be conforming to BS:EN:13348:2001 or BS:EN:1057. The supply of pipes must be further substantiated with inspection certificate from third party inspectors like Lloyd.
2	Specification for BOQ Item No 4 & 5 (part-I), Oxygen Gas Outlet and Vacuum Outlet  BS:EN 737-1 standard only favours to certain company only. Request for including NFPA-99 standards(USA)	Revised Specification for BOQ Item No 4 & 5 (part-I) is as below  As per tender specification, it is already mentioned in the first page of technical specification of tender document as all equipment, components and system of Medical Gas Pipeline System to be designed, selected and supplied should be as per HTM 2022/EN737/NFPA 99 standards and it means Oxygen and Vacuum outlets should be as per BS:EN:737-1:1998/NFPA 99 standard.
3	Specification for BOQ Item No.7 (Part-I) Ward Vacuum Unit  For regulator Digital/ Analog in one place and in the next line it is mentioned digital indication only. This should be considered as Digital/Analog.	Revised Specification for BOQ Item No.7 (Part-I) Ward Vacuum Unit is as below  The vacuum regulator shall have large vacuum gauge providing Digital/Analog indication of the suction supplied by regulator.
4	Specification for BOQ Item No.14 (Part-I) Bed Head Unit  The length of the Bed Head Panel should be at least 1800mm long	Revised Specification for BOQ Item No.14 (Part-I) Bed Head Unit is as below  The length of the Bed Head Panel should be at least 1800mm long
5	Scope of work of civil/electrical work should be clarified and quantified	Tender conditions prevail
6	Extension for submission of bid by one week	No change in tender conditions
7.	Whether the downloaded document from website can be submitted along with the cost of tender document of Rs. 5,000/-	Yes
8	Whether Gas Pipeline layout is provided	Enclosed

**All other terms & conditions of bid documents shall remain unchanged.**



This drawing with all its contents is the sole intellectual property of the Hospital Services Consultancy Company (HSCC) and shall remain the property of HSCC. No part of this drawing or part thereof shall be used in any form whatsoever without the written permission of HSCC. It is prohibited.

NO.	DATE	ISSUED

PRINTS ISSUED

REV.	DATE	DESCRIPTION

REVISION

**PROJECT**

**PROPOSED RENOVATION FOR PRIVATE WARD AT L.R.S.I. T.B. HOSPITAL, NEW DELHI**

**TITLE**

**PIPE LINE PLAN**

HSCC/106/004/GP/PW/01/Ro  
 DRAWING No. REV.  
 HSCC/106 1: 100 18/01/2012  
 (as per) scale date

App. By: \_\_\_\_\_ Rev. By: \_\_\_\_\_ Pre. By: \_\_\_\_\_

HOSPITAL SERVICES CONSULTANCY COMPANY  
 (A GOVERNMENT OF INDIA ENTERPRISE)

**HSCC**  
 INDIA  
 NEW DELHI

**FIRST FLOOR PLAN (SCALE 1:100)**

**GROUND FLOOR PLAN (SCALE 1:100)**